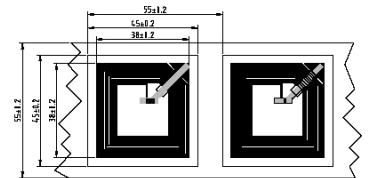




This 13.56MHz ICODE RFID tag is utilized in such applications as ticketing, library management and anti-counterfeiting.

The 13.56MHz ICODE RFID tag is compliant with the ISO 15693 standard. It can be both read and written to and is designed for use in electronic label applications and electronic article surveillance. The lightweight RFID tag is utilized in such applications as ticketing, library management and anti-counterfeiting. It supports multi-detection, offers a maximum read rate of 30 tags per second and has a memory capacity ranging from 512 bits to 384bits for data storage. It is waterproof, dustproof and resistant to immersion in salt water, alcohol, oil, 10% HCL and ammonia.



Technical Specifications

Type	Contactless Read/Write
Operating frequency	13.56MHz (HF-High Frequency).
Capacity	512bits to 384bits
Common usage	Ticketing, library management, anti-counterfeiting
Data coding type	Proprietary to Philips RM900 reader module
Standard deployment	Electronic label application, electronic article surveillance
Tested read range	3cm to 10cm (Dependant on the reader)
Multi-detection	Yes
Max read quantity	30 labels/sec
Size	147mm x 18mm
Material	Substrate – paper, synthetic paper or PET
Color	White– can be silk screened or offset printed on PVC side
Weight	0.5g
Compliance	Proprietary to Philips hardware
Regulatory specifications	ISO 15693-2, -3
Operating temperature	-25°C to 70°C
Storage temperature	-40°C to 85°C



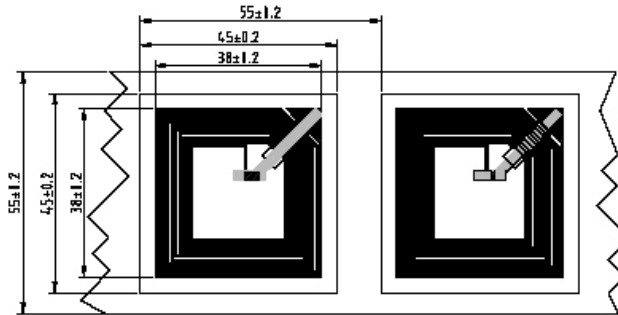
GAO RFID Inc.

A Member of GAO Group

Celebrating Over 15 Year of Innovation

Product Overview

13.56MHz ICODE RFID Tag (113001)



GAO Group

Celebrating Over 15 Years of Innovation

GAORFID.com
GAOTek.com
GAORFIDAssetTracking.com
GAOComm.com
GAOInstruments.com
GAOFiberOptics.com
GAOEmbedded.com
GAOResearch.com

Toll Free (USA & Canada)

1-877-585-9555

All Other Areas

416-292-0038

Dial Ext.601 for Sales
Ext.602 for Other Inquiries

China: 86-519-80691090

86-519-80691089

sales@GAORFID.com