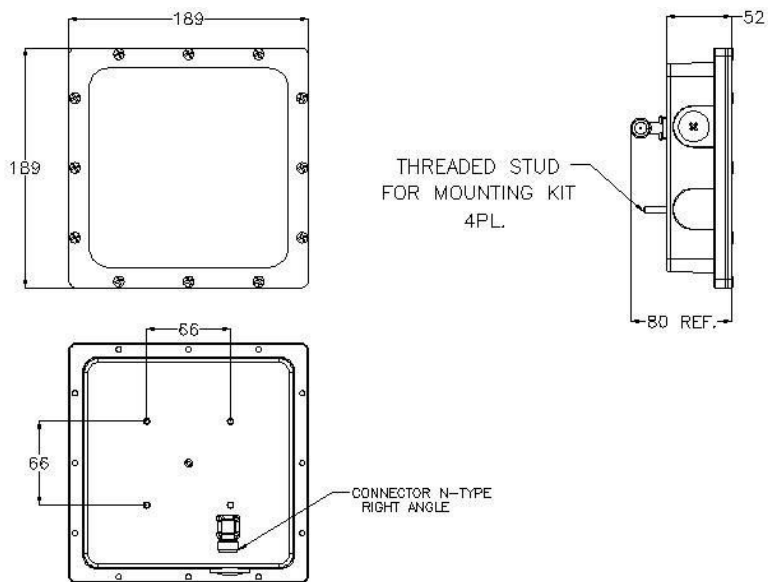


***This 902 MHz to 928 MHz 7dBic LHCP forklift antenna is housed in Aluminum with chemical conversion coating enclosure which can protect it from bad environment.***

## Technical Specifications

Electrical				
Regulatory Compliance	RoHS, CE 0682			
Frequency Range	902 – 928 MHz			
Gain	6.5 dBic (min) 7.5 dBic (max)			
OVSWR	1.3 :1 (typical) , 1.5 : 1 (max)			
Polarization	LHCP			
3DB Elevation Beamwidth	75° (typical)			
3DB Azimuth Beamwidth	75° (typical)			
F/B Ratio	-15 dB (typical)			
Power	6 W (max)			
Input Impedance	50 Ω			
Axial Ratio at Boresight	3.5 dB (max)			
Lightning Protection	DC Grounded			
Mechanical				
Dimensions (L × W × D)	190 × 190 × 30 mm			
Connector	Right angle N-Type female			
Weight	2 kg (max)			
Structure	Flat antenna housed in Aluminum with chemical conversion coating enclosure			
Outline Drawing	RD42815500C			
Environmental				
Test	Standard	Duration	Temperature	Notes

Low Temperature	IEC 68-2-1	72 h	-55 °C	
High Temperature	IEC 68-2-2	72 h	+71 °C	
Temp. Cycling	IEC 68-2-14	1 h	-45 °C to +70 °C	3 Cycles
Thermal Shock NONO-Operating			-30°C to+70°C	Ramp 30 °C/min
Humidity	ETSI EN300-2-4 T4.1E	144 h		95 %
Water Tightness	IEC 529			IP66
Dust Resistance				IP66
Solar Radiation	ASTM G53	1000h		
Ozone Resistance	ETSI 300			
Flammability	UL 94			Class HB
Quasi Random Vibration				20 g rms for 4 hours
Vehicle Vibration Operating	1 grms, 10-500 Hz, in 3 axis			6 hours total, 2 hr in each axis. Accelerated wear-an additional 50hrs in worst case axis.
Mechanical Shock Operating	10 g, 11 msec, half sine pulse			





**GAO Group**

[GAORFID.com](http://GAORFID.com)  
[GAOTek.com](http://GAOTek.com)  
[GAOResearch.com](http://GAOResearch.com)

Toll Free (USA & Canada)

**1-877-585-9555**

All Other Areas

416-292-0038

Dial Ext.601 for Sales  
Ext.602 for Other Inquiries

[sales@GAORFID.com](mailto:sales@GAORFID.com)