

Overview:



The GAORFID 713002 is a read/write module with antenna designed for simple integration. The Serial TTL-interface can be directly connected to microprocessors and easily converted to the RS232 serial interface device. The typical reading range of the module is up to 20~40mm depending on the antenna and TAG.

The 713002 is a RFID Module for all popular 13.56-MHz RFID/contactless standard protocols. It supports all major global secured baseband ISO standards including ISO14443 Type A, Type B, and Smartlabel ISO15693.

The 713002 is well suited for mobile devices due to its low power consumption and low operating voltage. The on-chip 3.3V regulators are provided to stabilize chip's power, and simultaneously supply the power to the external microcontroller up to 120 mA.

Main Features:

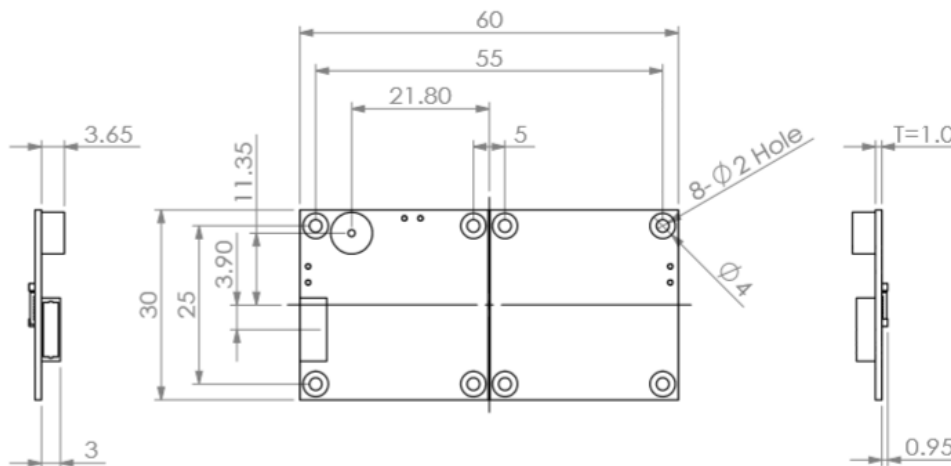
- ✓ Supported Protocols:
 - ISO14443A/B, all bit rates : 106 kbps
 - ISO15693, all modes, downlink 1 of 4 and 1 of 256; Uplink 6.6/13/26/53 kbps with 1 & 2 subcarrier
- ✓ Card Compatibilities:
 - ISO14443A, ISO14443B, ISO15693, ISO14443-3, ISO14443-4, NFC1-4 TAGs
- ✓ Ultra small outline : 60x30x6.0 mm
- ✓ Low power, low profile for portable designed

- ✓ Plug-in fitting for 13.56Mhz
- ✓ Serial TTL Interface
- ✓ Baud Rate 19200,N,8,1
- ✓ Power supply Active 120mA @5VDC
- ✓ Firmware Upgradable

Specifications:

POWER REQUIREMENT	5V regulated for Operate Voltage . A linear regulator is recommended.
CURRENT REQUIREMENTS	Active 120mA @5VDC
INTERFACE	Serial TTL / RS232 / USB HID / USB Virtual COM Interface
SUPPORTED PROTOCOLS	ISO14443A/B, all bit rates : 106 kbps ISO15693, all modes Downlink 1 of 4 and 1 of 256 Uplink 6.6/13/26/53 kbps with 1 & 2 sub-carrier
CARD TYPE	ISO14443A ISO14443B ISO15693 ISO14443-3 ISO14443-4 NFC1-4 TAGs
FERQUENCY	13.56MHz standard.
READ RANGE	Mifare : 1~3 cm ISO 15693 : 2~4 cm
TRANSPONDER	Read / Write
BAUD RATE	19200,N,8,1
DIMENSIONS	SMT: 60(L) x 30(W) x 6.0(H) mm
WEIGHT	5.0g
ENVIRONMENT	Operating Temp : -20°C ~ +80°C Humidity : 10 ~ 90 % relative

Layout:



Ordering Info:

	713002R	713002L	713002U	713002H
Description	RS232	Serial TTL	USB (Virtual serial port)	USB (USB HID)
Pin Numbers	8	8	8	8
Connector	JST SH 1.0mm	JST SH 1.0mm	JST SH 1.0mm	JST SH 1.0mm
PIN#				
1	+5 VDD	+5 VDD	+5 VDD	+5 VDD
2	TXD	TXD	D-	D-
3	RXD	RXD	D+	D+
4	GND	GND	GND	GND
5	SHIELD	SHIELD	SHIELD	SHIELD
6	--	--	--	--
7	--	--	--	--
8	--	--	--	--

<p>GAO Group</p> <p>GAORFID.com</p> <p>GAOTek.com</p> <p>GAOResearch.com</p>	<p>Toll Free (USA & Canada)</p> <p>1-877-585-9555</p> <p>All Other Areas</p> <p>416-292-0038</p> <p>Dial Ext.601 for Sales Ext.602 for Other Inquiries</p> <p>sales@GAORFID.com</p>
---	---