

This RFID tag's outstanding performance-to-size ratio and global compatibility, makes it ideal for manufacturing and logistics applications.

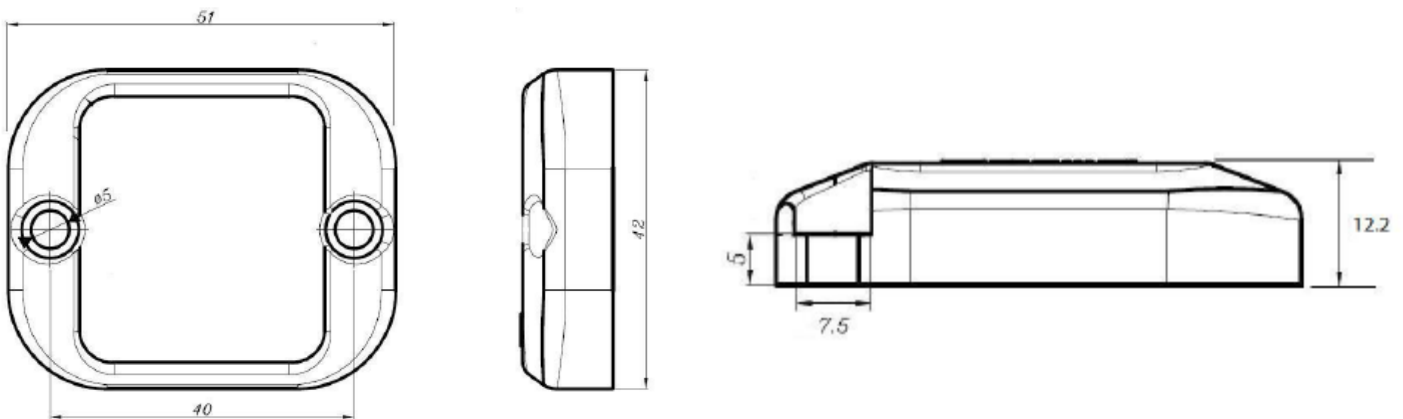
This durable, long-range tag is optimized for attachment to metallic objects. The tag is designed with a broad read angle and global RF response allowing for compatibility with most handheld and portal applications. This small footprint tag is constructed from premium materials providing outstanding reliability for both indoor and outdoor functionality.



Applications

- ✓ Returnable transit items (within global supply chains).
- ✓ Automotive Stillages.
- ✓ Large rental equipment

Physical Specifications



Technical Specifications

Operating Temperature	-40 to +85 °C
Long term Max Temperature 1 exposure - (days,weeks,years)	+85 °C
Short term Max Temperature 1 exposure - (minutes,hours)	+105 °C
IP Rating	IP68
Shock and Vibration	MIL STD 810-F
Impact	25kg from 1m
Attachment	Manual (standard) Premium film adhesive (option) Standard foam adhesive (option) Premium foam adhesive (option)
Certifications	RoHS approved CE approved ATEX/IECEX certified (option) US&Canada (C1D1/D2) certified (option)
Warranty	3 years

<p>GAO Group</p> <p>GAORFID.com</p> <p>GAOTek.com</p> <p>GAOResearch.com</p>	<p>Toll Free (USA & Canada)</p> <p>1-877-585-9555</p> <p>All Other Areas</p> <p>416-292-0038</p> <p>Dial Ext.601 for Sales Ext.602 for Other Inquiries</p> <p>sales@GAORFID.com</p>
---	---