

This UHF Gen 2 4-port RFID reader can be widely applied in many RFID application systems such as logistics, access control, anti-counterfeit and industrial production process control systems.

This 4-port RFID reader is connected via Ethernet and uses PoE as a power source. The UHF EPC Gen 2 Class 1 reader provides a long read range of 12 meters with Dogbone tags as well as a high read rate of 300 tags per second. High performance combined with affordable pricing makes the compact RFID reader one of the best solutions in the industry. It has been widely used in many RFID application systems such as logistics, access control and industrial production process control systems.



Key Features

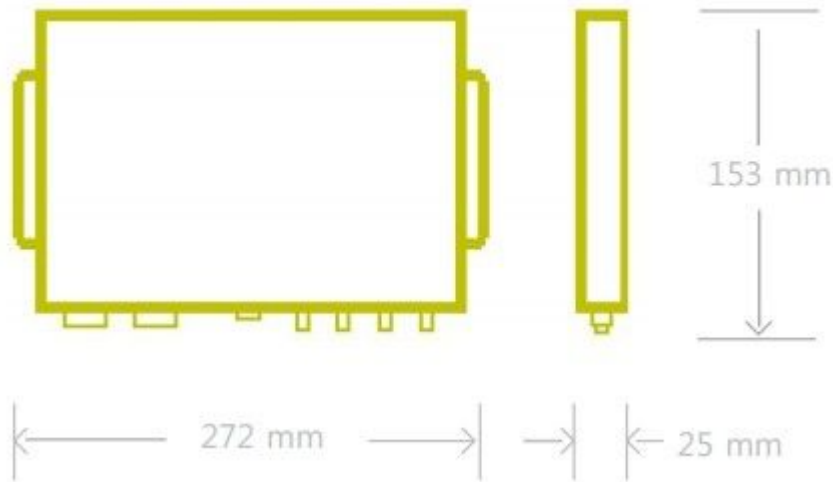
- ✓ 4 antenna ports
- ✓ Long read range of 12 meters depending on tag
- ✓ High read rate 300 tags/second
- ✓ Dense reader mode available
- ✓ Ethernet connectivity
- ✓ Best price/performance ratio

Applications

- ✓ Retail jewelry
- ✓ Asset management
- ✓ Logistics
- ✓ Quality control
- ✓ Production line management
- ✓ People tracking
- ✓ Cold chain management
- ✓ Library management

Technical Specifications

Dimensions	272 mm ×153 mm×25 mm
Weight	0.7 Kg
Read Range	Up to 12 meters (tag and antenna dependent)
Read Rate	300 tags /second
Protocol	ISO18000-6C, EPC UHF Class 1 Gen 2 Dense Reader Mode available (Class 3 Gen 2 compliant)
Frequency Range	One of the following: 865-868 MHz, 865-867 MHz, 902-928 MHz, 922-928 MHz, 920-925 MHz, 915-922MHz
Output Power	30 dBm at RF connector
RF Connectors	Reverse Polarity SMA Jack
External Control	2 x GPO and 2 x GPI
Environment	Operating Temperature: -20°C to 50°C (-4°F to 122°F) Storage Temperature: -40°C to 85°C (-40°F to 185°F) Humidity: 95% Non-condensing
Usage	Indoor use only, NEMA enclosure box is required for protection in outdoor environment
Connectivity	Ethernet, USB, Serial (RS232)
Power Supply	DC supply (12 V, 2.5 A), or use PoE (PoE+ or IEEE802.3at required)
Order Code	236031-N N=1: 865-868 MHz (Europe) & 865-867 MHz (India), N=2: 902-928 MHz (USA), N=4: 922-928 MHz (Taiwan) N=7: 920-925 MHz (China, Australia, Malaysia, Hong Kong etc.), N=8: 915-922 MHz (Japan)



<p>GAO Group</p> <p>GAORFID.com GAOTek.com GAOResearch.com</p>	<p>Toll Free (USA & Canada)</p> <p>1-877-585-9555</p> <p>All Other Areas</p> <p>416-292-0038</p> <p>Dial Ext.601 for Sales Ext.602 for Other Inquiries</p> <p>sales@GAORFID.com</p>
---	---